

ADAIR HOMES

the **HUMPHREY**

1,485 SF | 4 Bed | 2 Bath



CRAFTSMAN



the HUMPHREY

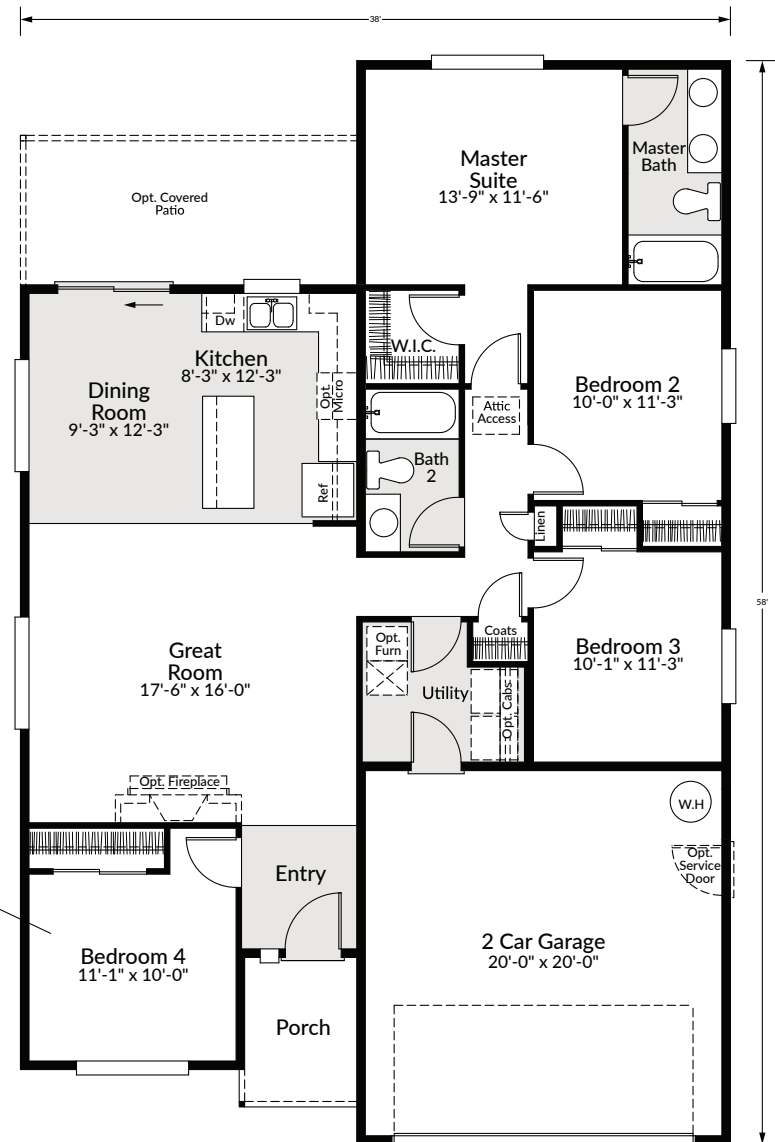
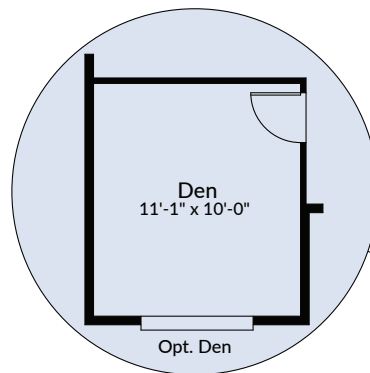
1,485 SF | 4 BED | 2 BATH

- Open Living Design
- Optional Den
- Covered Front Porch
- Utility Room with Extra Storage
- Optional Rock Exterior

EXTERIOR ELEVATION OPTIONS



View all elevation options at www.AdairHomes.com



www.ADAIRHOMES.com

Elevations are artistic renderings and may include items not standard to the plan. Ask your Home Ownership Counselor for more details.

